



AT-AM6-5766VG-13

Active Multiplier x6, 57-66GHz Pout=+13dBm

x6 V Band Active Multiplier

2022-3-13

57-66GHz, Pout=+13dBm, 1.85mm Male



Product Overview

AT-AM6-5766VG-13 is a V band, active x6 frequency multiplier. The multiplier has an input frequency of 9.5-11 GHz with a typical output +13dBm from 57-66GHz.

The integrated input and output buffers deliver high output power at a low drive level. The multiplier also has a typical harmonic suppression of -30dBc.

More information, please visit www.atmicrowave.com

Advantages

- ✓ Frequency: 57-66GHz
Can be used at 55-75GHz
- ✓ Pout: +13dBm typical
- ✓ Input: 9.5-11GHz, +5dBm
- ✓ Single Power Supply

Application

- ✓ V band Communication
- ✓ Test Equipment
- ✓ ROF (RF Over Fiber)
- ✓ Radar System

Key Features

| Parameter | Min | Typical | Max |
|----------------------|--------|---------|--------|
| Input Frequency | 9.5GHz | | 11GHz |
| Input Power | 0 | +5dBm | +10 |
| Multiplier Factor | | X6 | |
| Output Frequency | 57GHz | | 66GHz |
| Output Power | +12dBm | +13dBm | +15dBm |
| Harmonic Suppression | | -30dBc | |
| Drain Voltage | | +5V | +8V |
| Current | | 240mA | |
| Spec Temp | | 25C | |





AT-AM6-5766VG-13

Active Multiplier x6, 57-66GHz Pout=+13dBm

Mechanical Information

| Item | Description |
|---------------------------|-------------|
| Input Port | SMA Female |
| Output Port | 1.85MM MALE |
| Case Material | Copper |
| Finish | Gold Plated |
| Weight (Without Heatsink) | 190g |
| Size: | See outline |

Absolute Maximum Ratings Table

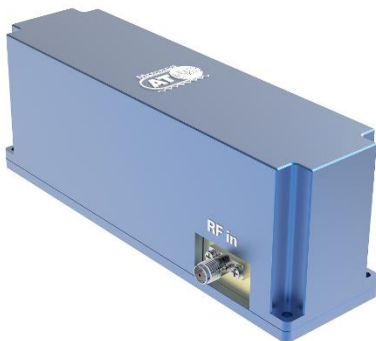
| Parameter | Value |
|-----------------------|--------------|
| Drain Supply | +9V |
| RF Input Power | +15dBm |
| Operating Temperature | 0 to +50C |
| Storage Temperature | -65 to +150C |

Notes:

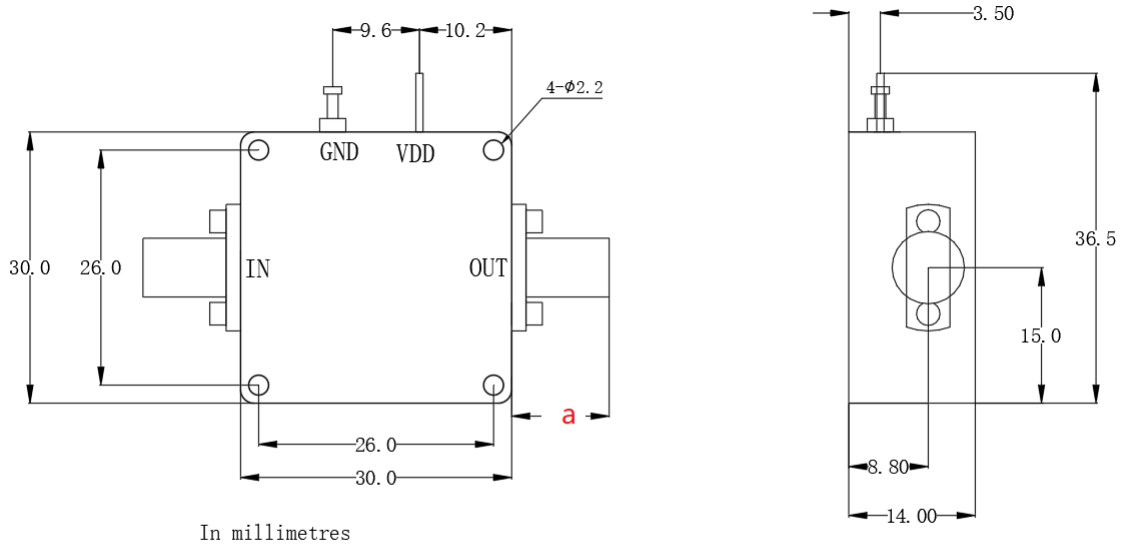
1. Datasheet may be changed according to update of MMIC, Raw materials , process, and so on.
2. This data is only for reference, not for guaranteed specifications.
3. Please contact AT Microwave team to make sure you have the most current data.

Part Number Selection Guide

| Item | Description |
|----------------|---|
| PN | Stand Module with DC Power Supply |
| PN-LCBT | L ow Cost, C ompact B ench- T op, +220V Supply with AC/DC Adapter |



Dimension: (Unit:mm)



| | <26.5GHz | <40GHz | <50GHz | <67GHz |
|------------|----------|--------|--------|--------|
| Connector | SMA | 2.92mm | 2.4mm | 1.85mm |
| Lenth of a | 9.4mm | 9.5mm | 10.8mm | 11.3mm |

Heat Sink Required If Case Temp Higher Than 50C

